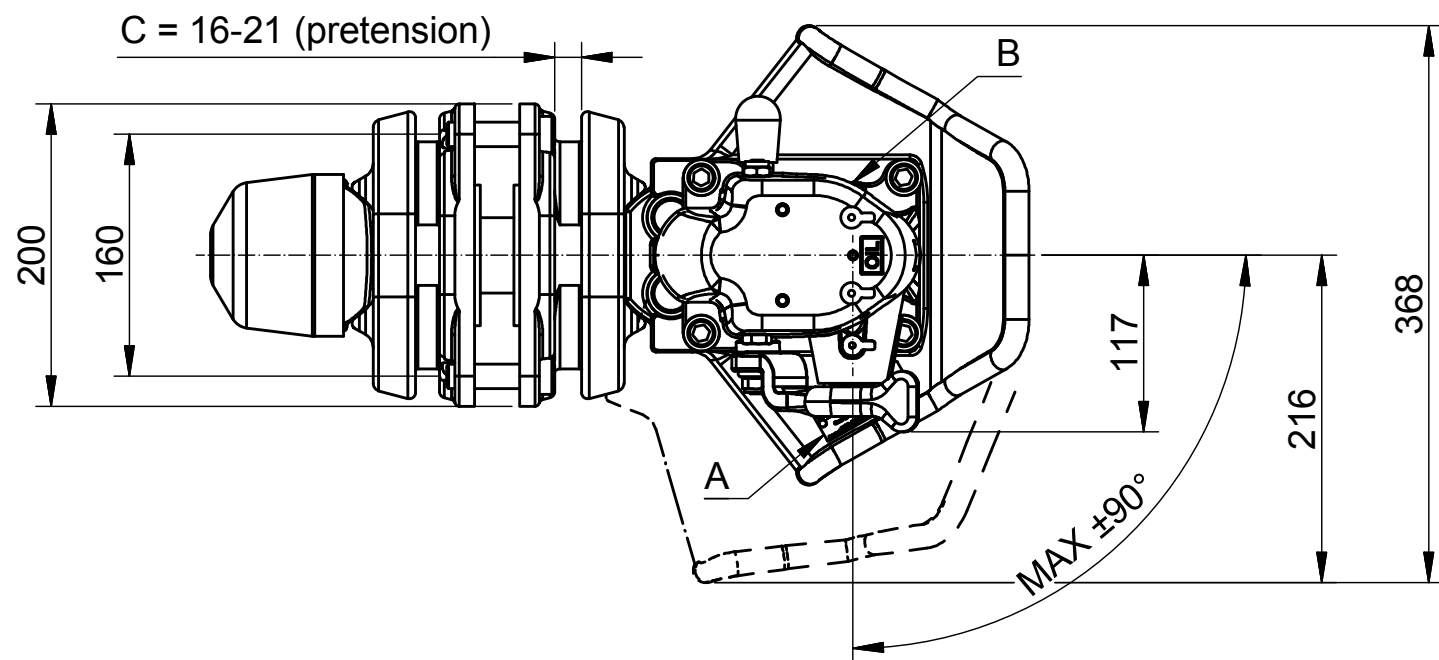
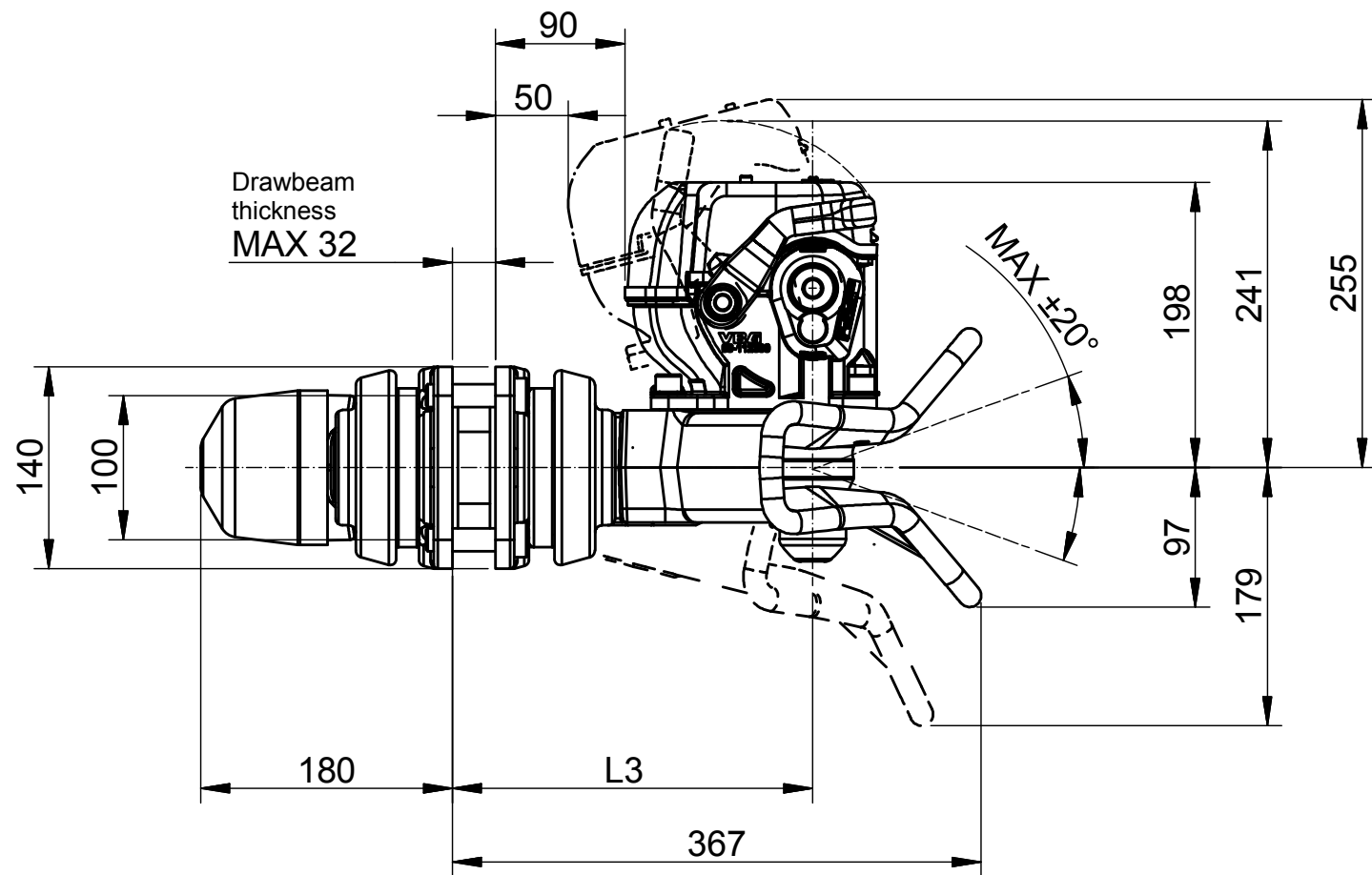


A

B

C

D



VBG VBG Group AB, Sweden
 Type: 760 Part: 05-0755 No: XXXXXX XX/XX
 Class: S **E4**
 Approval: 55R-01 0064

D 200 kN
 Dc - kN
 S - kg
 V - kN

VBG

TYPE 760
 PART 09-1876
 NO. NO.YEAR/WEEK

VBG GROUP TRUCK EQUIPMENT AB

Acc to standard
 SS 550000-1 Category 5
 SS 550100-1 C57

Dimension	Actual measure
M	140
N	200
P	180
Q	367
R	179
S	255
T	Max 32
J	368
K	216

Coupling center distance "L3" depends on pretension and drawbeam thickness (see table)

Drawbeam thickness	L3	
	C=16	C=21
16	230	235
20	234	239
22	236	241
28	242	247
30	244	249
32	246	250

1 Measures for information only. Tolerance ± 10mm.



VBG GROUP

Description
 Coupling VBG 760

Modified Date	Modified by	Modification No.	Issue
2018-01-04	SN	13005	g
3D Model No.			Engineer
05-075500			KP
Sheet Size	Scale	Projection	Drafting Date
A3	1:5		2010-12-03
Stage	Drawing No.		
P	05-075500 (F) INFO		
This drawing is the property of VBG Group AB and is protected in accordance with prevailing law. Changes must be made in CAD-program, this concerns both 2D & 3D.			